

Montagehandleiding E1D14501

Plex Perth Dec. Inbouw plafond

+31(0)88 500 84 40

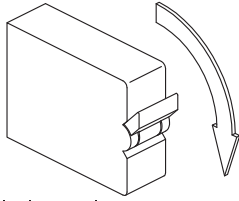
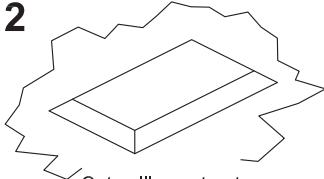
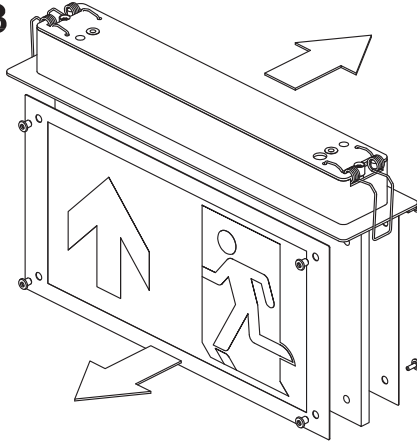
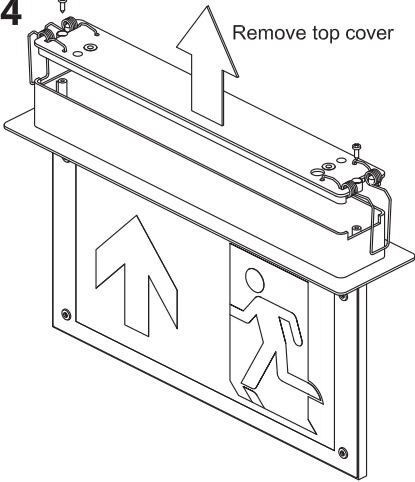
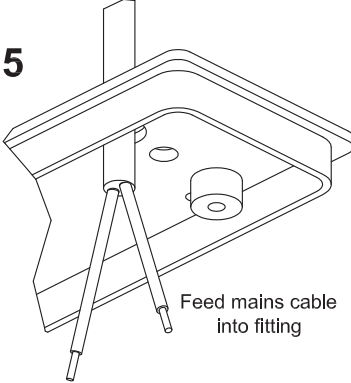
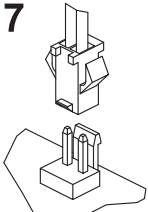
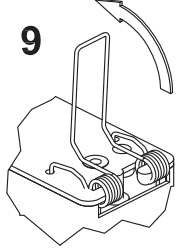
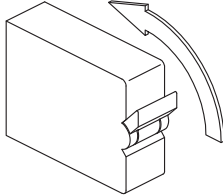
info@taurac.com

www.taurac.com

Scan deze QR code met je telefoon en kom terecht op onze productpagina.



INSTALLATION

- 1**  Isolate mains power
- 2**  Cut ceiling cut-out 310 x 55mm
- 3** 
- 4**  Remove top cover
- 5**  Feed mains cable into fitting
- 6** - Terminate Emergency Sign into mains power supply, see FIG.1
- 7**  Connect battery
- 8** - Re-secure body of fitting into top cover removed in STEP 3.
- 9**  Rotate ceiling spring clips upwards
- 10**  Restore mains power