

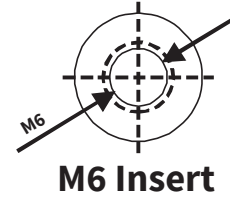
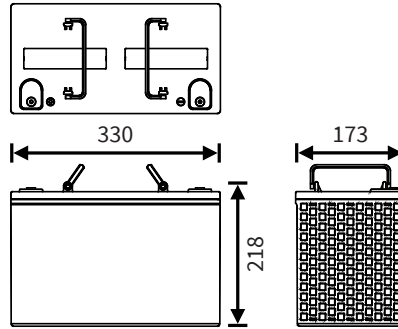
CPW 530-12

Long life High Rate AGM battery (10-12 years)



Dimensions (mm)

Standard terminal (mm)



Typical applications

- UPS systems
- Data centers
- Telecom systems
- Security systems
- Emergency lighting
- Air traffic power stations
- Start boosters
- Medical equipment

Features

- Valve Regulated Maintenance Free (VRLA)
- Absorbent Glass Mat Technology (AGM)
- Built to comply with DIN 43534, IEC896-2, BS6290-pt.4
- Low self discharge
- Classified as non-spillable and Non Dangerous goods by IATA, FAA, ADR, IMDG
- Can be discharged or stored in any position without leakage
- Battery cannot be charged while upside down
- Produced under ISO 9001 & ISO 14001

Nominal voltage	12 V
Nominal capacity (1.75V/c, 25°C)	20Hr: 111.9 Ah 10Hr: 90.3 Ah
Nominal power (1.75V/c, 25°C)	10Min: 503.5 W/cell
Internal resistance	≤4mΩ (fully charged)
Maximum charge current	32.4 A
Maximum discharge current	2900 A (max. 5 sec)
Float use / Cycle use	13.5 - 13.8V / 14.4 - 15.0V
Self discharge	Lower than 3% per month
Operating temperature range	-20°C ~ 50°C
Designlife (20°C)	10-12 years in float (EUROBAT)
Standard terminal	Insert M6 (5.5 Nm torque)
Housing material	ABS (UL94-HB)
Dimensions Length	330 mm
Dimensions Width	173 mm
Dimensions Height	218 mm
Approximate Weight	34.30 kg
Packing	1 pcs / box

*: 5 years warranty optional. Warranty valid for stand-by use only. Additional terms and conditions may apply. Ask your Cellpower representative.

Constant Current Discharge (Amps) at 25 °C (77°F)

F.V/TIME	5 Min	10 Min	15 Min	30 Min	1 Hr	3 Hr	5 Hr	10 Hr	20 Hr
1.80V/cell	381.0	247.0	201.7	123.44	72.84	28.30	18.370	10.511	5.466
1.75V/cell	418.0	267.0	212.7	128.33	73.94	28.86	18.700	10.756	5.593
1.70V/cell	445.0	278.0	220.0	130.78	74.80	29.12	18.810	10.878	5.656
1.67V/cell	461.3	283.7	224.4	132.43	75.42	29.27	18.817	10.888	5.657
1.65V/cell	465.0	286.0	226.1	133.22	75.53	29.33	18.822	10.898	5.658

Constant Power Discharge (Watts) per Cell* at 25 °C (77°F)

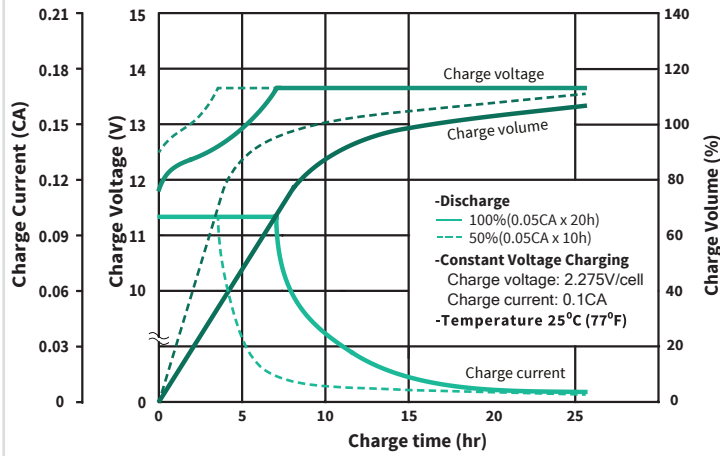
F.V/TIME	5 Min	10 Min	15 Min	30 Min	1 Hr	3 Hr	5 Hr	10 Hr	20 Hr
1.80V/cell	676,17	469,17	387,67	246,68	144,43	56,59	36,74	21,02	10,93
1.75V/cell	740,17	503,50	410,00	253,00	146,67	57,73	37,40	21,51	11,19
1.70V/cell	789,33	524,17	424,17	257,07	148,30	58,24	37,62	21,76	11,31
1.67V/cell	814,98	536,04	430,50	258,38	149,50	58,54	37,63	21,76	11,31
1.65V/cell	821,50	540,33	433,67	259,93	149,72	58,65	37,65	21,76	11,31

Constant Current / Power Discharge (Amps / Watts) per Cell* at 25 °C (77°F)

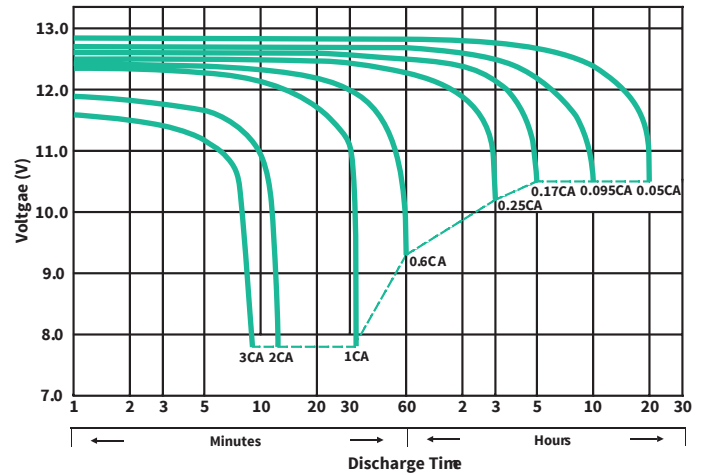
F.V/TIME	5 Min	10 Min	15 Min	30 Min	1 Hr	3 Hr	5 Hr	10 Hr	20 Hr
1.75V/cell	418.0 A	267.0 A	212.7 A	128.33 A	73.94 A	28.86 A	18.700 A	10.756 A	5.593 A
1.75V/cell	740.17 W	503.50 W	410.00 W	253.00 A	146.67 W	57.73 W	37.40 W	21.51 W	11.19 W

*: Battery consists of 6 Cells

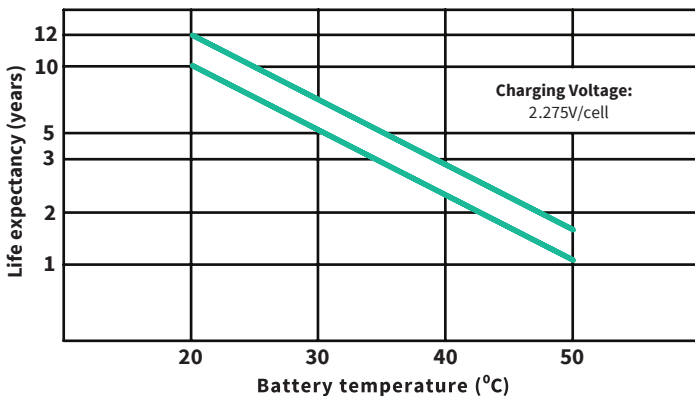
Charge characteristics



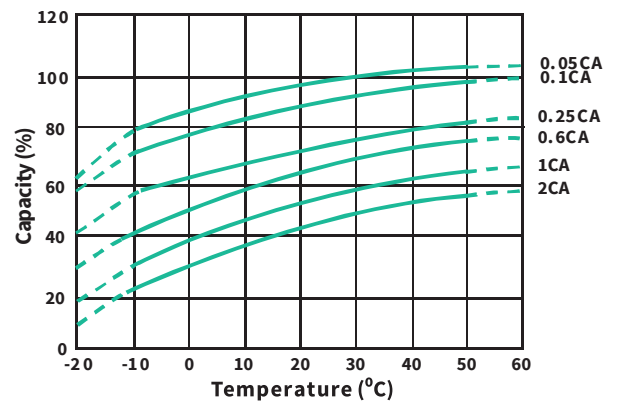
Discharge characteristics



Life expectancy in relation to temperature



Capacity in relation to temperature



Models available

Model	Voltage	Capacity (Ah)	Dimensions (mm)	Weight (kg)
CPW 30-12	12	5.0	90x70x106	1.80
CPW 35-12	12	7.0	151x65x98	2.20
CPW 35-12L	12	7.0	151x65x98	2.20
CPW 50-12	12	8.5	151x65x100	2.75
CPW 80-12	12	13	151x98x98	4.20
CPW 110-12	12	21	181x76x166	6.50
CPW 140-12	12	28	165x125x175	9.60
CPW 160-12	12	33	195x129x168	11.25
CPW 200-12	12	40	197x165x171	14.30
CPW 270-12	12	55	228x139x207	17.80
CPW 390-12	12	80	261x173x207	26.00
CPW 440-12	12	88	261x173x207	26.40
CPW 530-12	12	110	330x173x218	34.30
CPW 650-12	12	135	344x173x277	41.10
CPW 750-12	12	155	344x173x277	45.50

Cellpower family

Cellpower supplies a broad range of reliable AGM, GEL and Lithium batteries. Each product series has its own unique characteristics, so that there is a suitable battery for every application with its associated specific usage profile. Combined with the right Cellpower battery accessories, you are able to assemble a high-quality and reliable battery system.

The sealed, maintenance-free GEL battery type has a long operational lifetime. When used correctly, the technology offers dependable, lasting service. Additionally, GEL batteries exhibit very little self-discharge when compared with other lead-acid batteries. Sealed lead-acid batteries require low maintenance and do not need to be refilled with water or other liquids.

