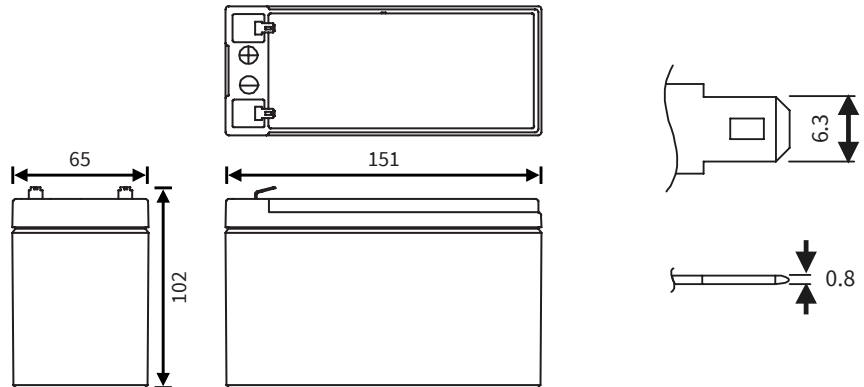


CPL 9-12L

Long life AGM battery (8-10 year design life)

Dimensions (mm)

Standard terminal



Typical applications

- UPS systems
- Data centers
- Telecom systems
- Security systems
- Emergency lighting
- Air traffic power stations
- Medical equipment
- Solar energy

Features

- Valve Regulated Lead Acid (VRLA)
- Maintenance free
- Absorbent Glassmat Technology (AGM)
- Built to comply with DIN 43534, IEC8962, BS6290-pt.4
- Low self discharge
- Classified as non-spillable under IATA, ADR and IMDG regulations
- Can be discharged or stored in any position without leakage
- Battery cannot be charged while upside down
- Produced under ISO 9001 & ISO 14001

Nominal voltage	12 V
Nominal capacity (1.80V/c, 25°C)	20Hr: 8.54 Ah 10Hr: 8.11 Ah
Nominal power (1.65V/c, 25°C)	10Min: 45.2 W/cell
Internal resistance	≤14mΩ (fully charged)
Maximum charge current	2.55 A
Maximum discharge current	127.5 A (max. 5 sec)
Float use / cyclic use	13.5V - 13.8V / 14.4V - 14.7V
Self discharge	Lower than 3% per month
Operating temperature range	-20°C ~ 60°C
Designlife (20°C)	8-10 years in float (Eurobat)
Standard terminal	Faston 6.3mm (T2)
Housing material	ABS (UL 94HB)
Dimensions Length	151 mm
Dimensions Width	65 mm
Dimensions Height	102 mm
Approximate Weight	2.70 kg
Packing	5 pcs / box

Constant Current Discharge (Amps) at 25 °C (77°F)

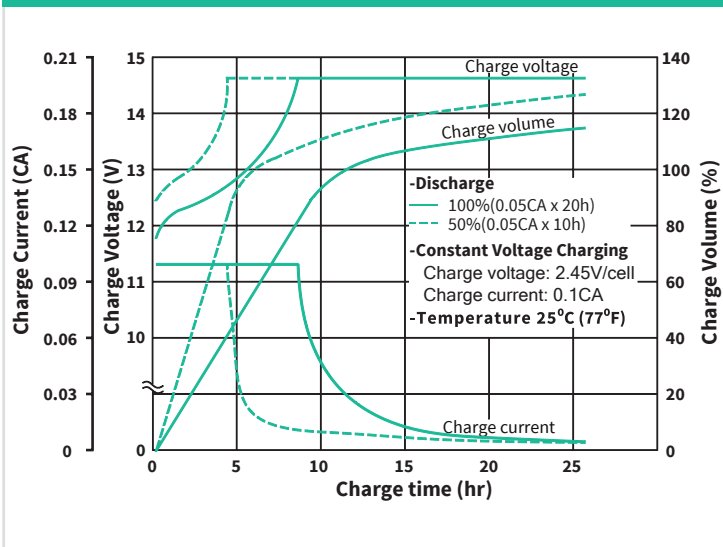
FV/TIME	5 Min	10 Min	15 Min	30 Min	1 Hr	3 Hr	5 Hr	10 Hr	20 Hr
1.80V/cell	32,0	20,0	14,6	8,28	5,07	2,13	1,45	0,811	0,427
1.75V/cell	34,3	21,5	15,5	8,75	5,18	2,18	1,48	0,829	0,436
1.70V/cell	36,0	22,5	16,2	9,16	5,24	2,21	1,50	0,838	0,441
1.65V/cell	37,7	23,6	16,9	9,57	5,29	2,23	1,52	0,847	0,446
1.60V/cell	39,5	24,7	17,6	9,98	5,29	2,23	1,52	0,847	0,446

Constant Power Discharge (Watts) per Cell* at 25 °C (77°F)

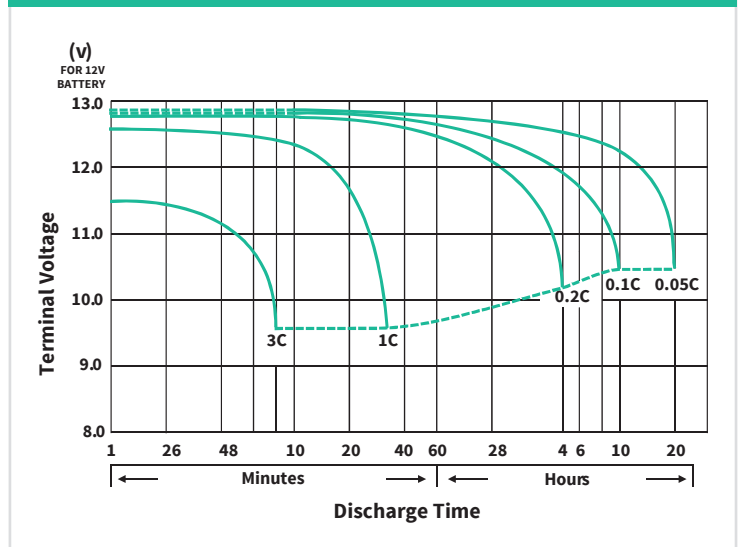
FV/TIME	5 Min	10 Min	15 Min	30 Min	1 Hr	3 Hr	5 Hr	10 Hr	20 Hr
1.80V/cell	59,7	38,3	28,7	16,4	10,1	4,29	2,93	1,64	0,865
1.75V/cell	64,1	41,1	30,3	17,3	10,3	4,38	2,99	1,68	0,884
1.70V/cell	67,1	43,1	31,7	18,2	10,4	4,43	3,02	1,70	0,893
1.65V/cell	70,4	45,2	33,1	19,0	10,5	4,48	3,06	1,71	0,903
1.60V/cell	73,8	47,3	34,5	19,8	10,5	4,48	3,06	1,71	0,903

*: Battery consists of 6 cells

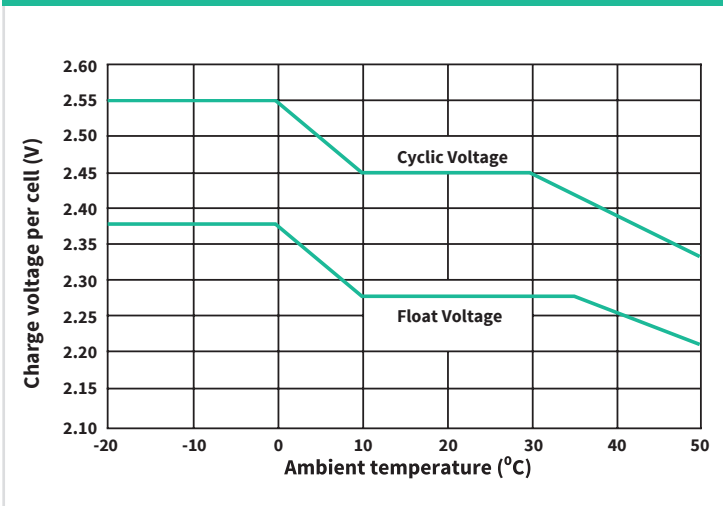
Charge characteristics



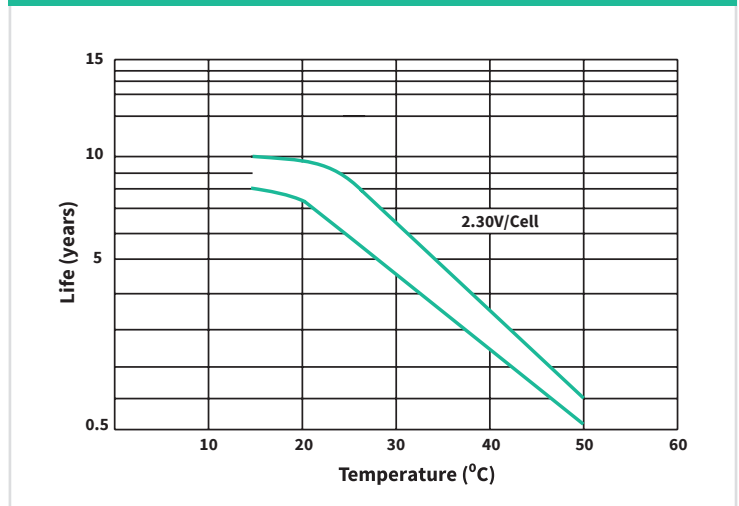
Discharge characteristics



Charge voltage in relation to temperature



Service life in relation to temperature



Models available

Model	Voltage	Capacity (Ah)	Dimensions (mm)	Weight (kg)
CPL 9-12L	12	9	151x65x102	2.70
CPL 12-12	12	12	151x98x101	3.70
CPL 18-12	12	18	181x76x167	5.45
CPL 28-12I	12	28	168x178x124	8.40
CPL 28-12IA	12	28	164x124x175	9.00
CPL 33-12	12	33	195x130x160	10.70
CPL 45-12I	12	45	198x167x160	13.80
CPL 55-12I	12	55	229x138x213	17.30
CPL 65-12IJ	12	65	350x167x179	23.40
CPL 80-12	12	80	260x170x207	24.20
CPL 100-12	12	100	307x168x214	29.50
CPL 135-12	12	135	342x172x285	41.40
CPL 150-12	12	150	485x172x240	47.00
CPL 250-12	12	250	521x269x220	78.00

Cellpower family

Cellpower supplies a broad range of reliable AGM, GEL and Lithium batteries. Each product series has its own unique characteristics, so that there is a suitable battery for every application with its associated specific usage profile. Combined with the right Cellpower battery accessories, you are able to assemble a high-quality and reliable battery system.

The sealed, maintenance-free AGM lead battery type has a long operational lifetime. When used correctly, the Absorbed Glass Mat (AGM) technology offers dependable, lasting service. Additionally, AGM batteries exhibit very little self-discharge when compared with other lead-acid batteries. Sealed lead-acid batteries require low maintenance and do not need to be refilled with water or other liquids.

