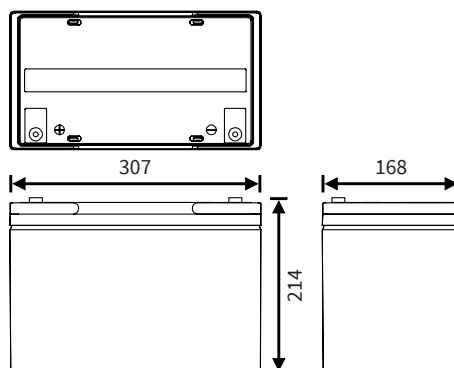


## CPL 100-12

Long life AGM battery (10-12 year design life)

### Dimensions (mm)

### Standard terminal



No image available  
at this time

### Typical applications

- UPS systems
- Data centers
- Telecom systems
- Security systems
- Emergency lighting
- Air traffic power stations
- Medical equipment
- Solar energy

### Features

- Valve Regulated Lead Acid (VRLA)
- Maintenance free
- Absorbent Glassmat Technology (AGM)
- Built to comply with DIN 43534, IEC8962, BS6290-pt.4
- Low self discharge
- Classified as non-spillable under IATA, ADR and IMDG regulations
- Can be discharged or stored in any position without leakage
- Battery cannot be charged while upside down
- Produced under ISO 9001 & ISO 14001

Nominal voltage	12 V
Nominal capacity (1.80V/c, 25°C)	20Hr: 105.2 Ah
	10Hr: 100.0 Ah
Nominal power (1.65V/c, 25°C)	10Min: 455.0 W/cell
Internal resistance	≤5.0mΩ (fully charged)
Maximum charge current	30.0 A
Maximum discharge current	1200 A (max. 5 sec)
Float use / cyclic use	13.5V - 13.8V / 14.4V - 14.7V
Self discharge	Lower than 3% per month
Operating temperature range	-20°C ~ 60°C
Designlife (20°C)	10-12 years in float (Eurobat)
Standard terminal	Insert M6 (8.5 Nm Torque)
Housing material	ABS (UL 94-HB)
Dimensions Length	307 mm
Dimensions Width	168 mm
Dimensions Height	214 mm
Approximate Weight	29.5 kg
Packing	1 pcs / box

### Constant Current Discharge (Amps) at 25 °C (77°F)

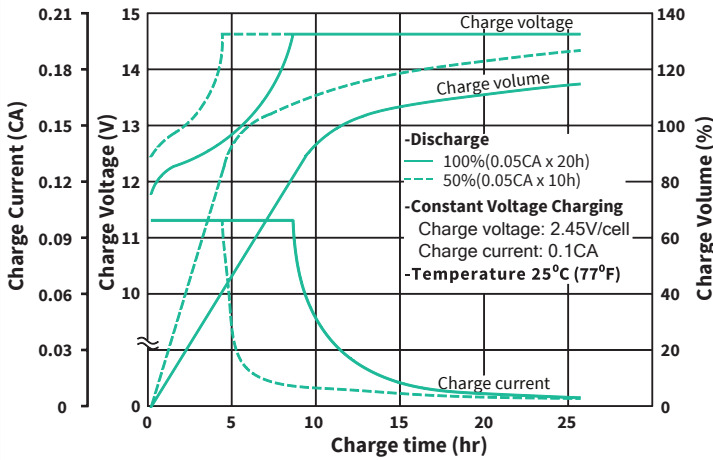
F.V/TIME	5 Min	10 Min	15 Min	30 Min	60 Min	2 Hr	3 Hr	4 Hr	5 Hr	10 Hr	20 Hr
1.85V/cell	202	159	119	71.2	43.6	25.8	22.6	18.3	16.1	9.71	5.09
1.80V/cell	267	188	146	83.7	50.8	29.3	23.7	19.1	16.7	10.0	5.26
1.75V/cell	305	209	165	92.1	56.5	32.5	24.8	19.8	17.2	10.2	5.38
1.70V/cell	336	226	179	101	60.6	35.6	25.7	20.5	17.6	10.4	5.48
1.67V/cell	346	234	184	103	61.5	36.4	26.1	20.8	17.8	10.5	5.53
1.65V/cell	358	243	190	106	63.0	37.3	26.5	21.1	17.9	10.6	5.57
1.60V/cell	375	257	198	111	64.9	38.5	27.2	21.6	18.1	10.7	5.64

### Constant Power Discharge (Watts) per Cell\* at 25 °C (77°F)

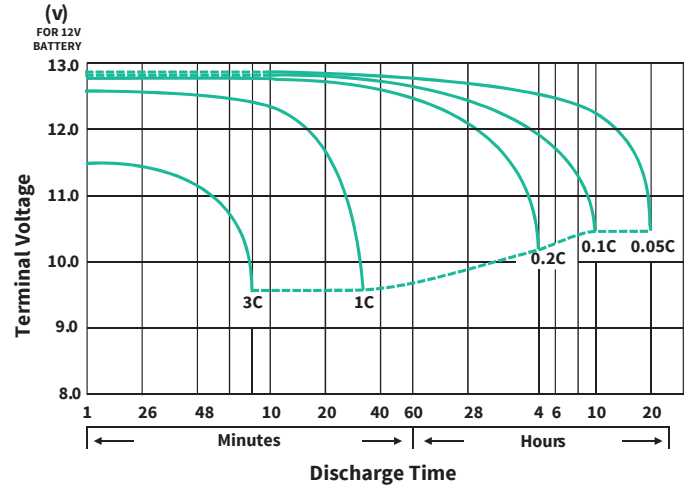
F.V/TIME	5 Min	10 Min	15 Min	30 Min	60 Min	2 Hr	3 Hr	4 Hr	5 Hr	10 Hr	20 Hr
1.85V/cell	458,0	348,0	277,0	163,0	112,0	66,3	47,2	35,2	31,3	18,0	10,4
1.80V/cell	512,0	380,0	301,0	174,0	116,0	69,5	49,7	37,3	32,8	19,2	10,7
1.75V/cell	549,0	407,0	320,0	183,0	119,0	72,0	51,8	39,3	34,2	20,0	11,0
1.70V/cell	584,0	432,0	338,0	191,0	122,0	73,5	52,2	41,3	35,2	20,8	11,2
1.67V/cell	600,0	443,0	346,0	195,0	123,0	74,5	53,0	42,0	35,5	21,2	11,3
1.65V/cell	617,0	455,0	354,0	199,0	125,0	75,7	54,0	42,8	36,0	21,5	11,4
1.60V/cell	649,0	477,0	370,0	206,0	126,0	77,2	55,2	43,8	36,7	21,8	11,5

\*: Battery consists of 6 cells

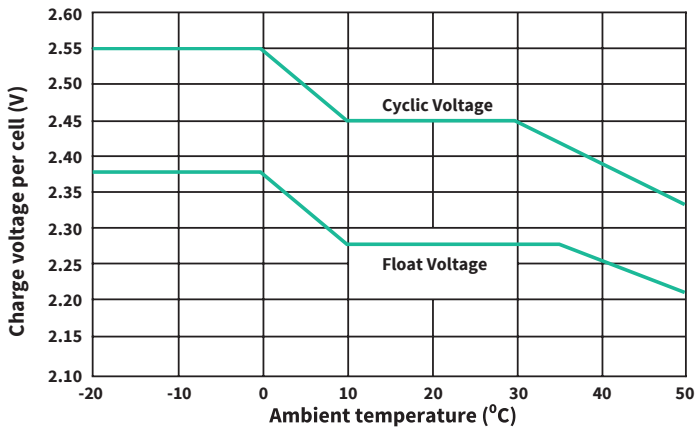
## Charge characteristics



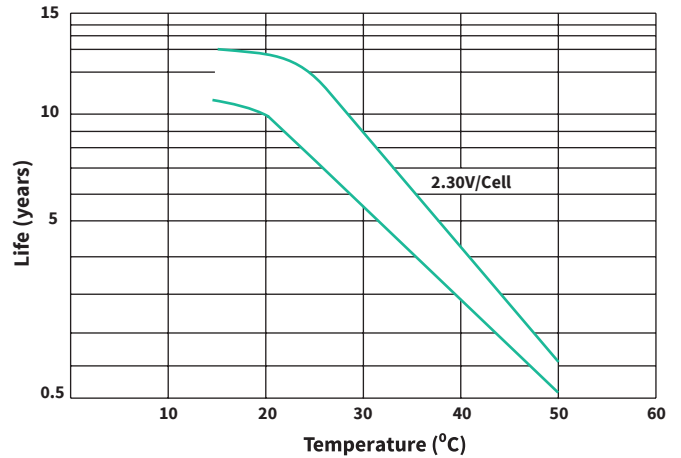
## Discharge characteristics



## Charge voltage in relation to temperature



## Service life in relation to temperature



## Models available

Model	Voltage	Capacity (Ah)	Dimensions (mm)	Weight (kg)
CPL 9-12L	12	9	151x65x102	2.70
CPL 12-12	12	12	151x98x101	3.70
CPL 18-12	12	18	181x76x167	5.45
CPL 28-12I	12	28	168x178x124	8.40
CPL 28-12IA	12	28	164x124x175	9.00
CPL 33-12	12	33	195x130x160	10.70
CPL 45-12I	12	45	198x167x160	13.80
CPL 55-12I	12	55	229x138x213	17.30
CPL 65-12IJ	12	65	350x167x179	23.40
CPL 80-12	12	80	260x170x207	24.20
CPL 100-12	12	100	307x168x214	29.50
CPL 135-12	12	135	342x172x285	41.40
CPL 150-12	12	150	485x172x240	47.00
CPL 250-12	12	250	521x269x220	78.00

## Cellpower family

Cellpower supplies a broad range of reliable AGM, GEL and Lithium batteries. Each product series has its own unique characteristics, so that there is a suitable battery for every application with its associated specific usage profile. Combined with the right Cellpower battery accessories, you are able to assemble a high-quality and reliable battery system.

The sealed, maintenance-free AGM lead battery type has a long operational lifetime. When used correctly, the Absorbed Glass Mat (AGM) technology offers dependable, lasting service. Additionally, AGM batteries exhibit very little self-discharge when compared with other lead-acid batteries. Sealed lead-acid batteries require low maintenance and do not need to be refilled with water or other liquids.

